

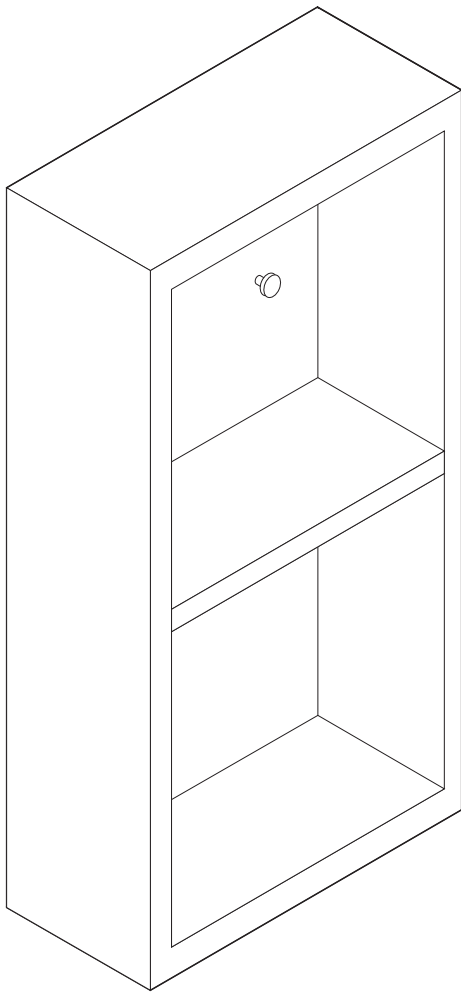
# FST8092

Linen Side Cabinet

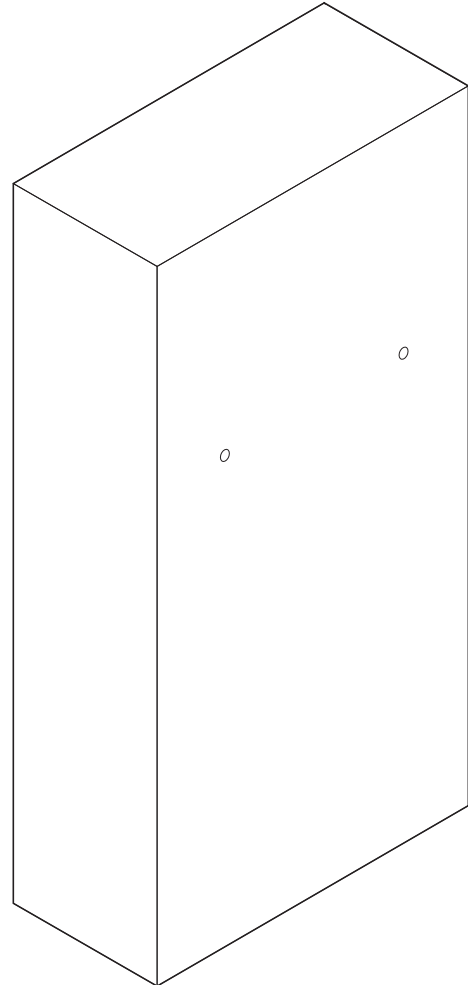
## INSTALLATION GUIDE



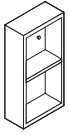
FRESCA®



Linen  
Side Cabinet  
front view



Linen  
Side Cabinet  
rear view



# FST8092

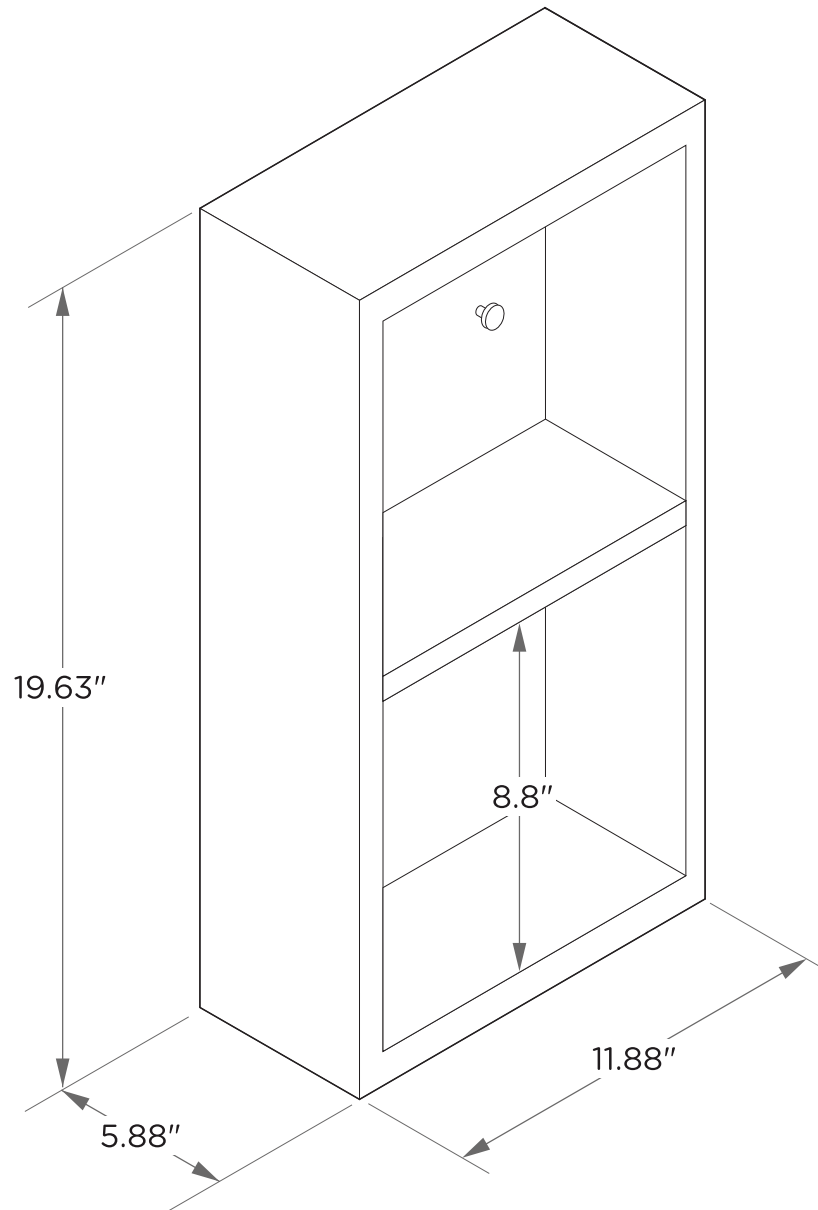
Linen Side Cabinet

**INSTALLATION GUIDE**



FRESCA®

## DIMENSIONS

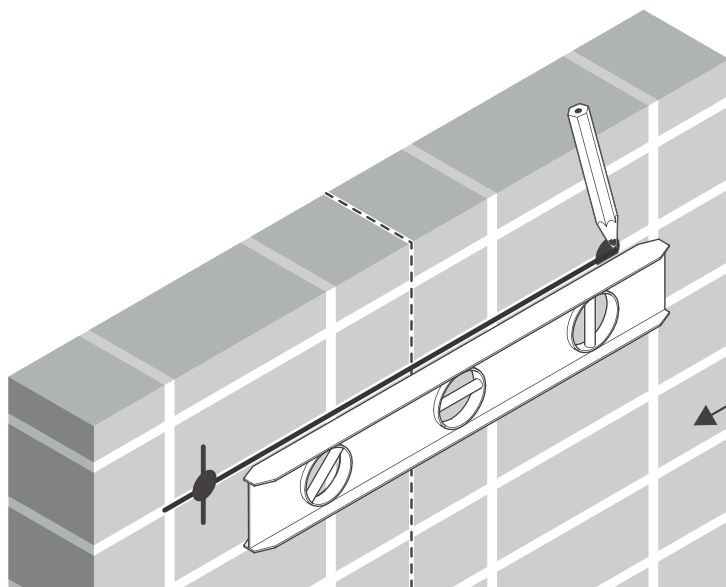
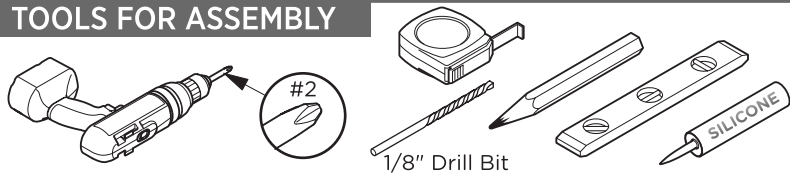


**NOTE:** ALL DIMENSIONS & SPECIFICATIONS ARE APPROXIMATE AND SUBJECT TO CHANGE WITHOUT NOTICE.

# LINEN SIDE CABINET INSTALLATION

- 1** Mark the wall with a pencil using a level for the mounting position.

## TOOLS FOR ASSEMBLY



**NOTE:** Consult an expert for the proper screws/bolts to use when attaching to various constructions. Screws provided do not attach to all wall construction types. Anchors are not required if brackets are installed in the stud.

- 2** Attach side cabinet to the wall with screws using a drill.

